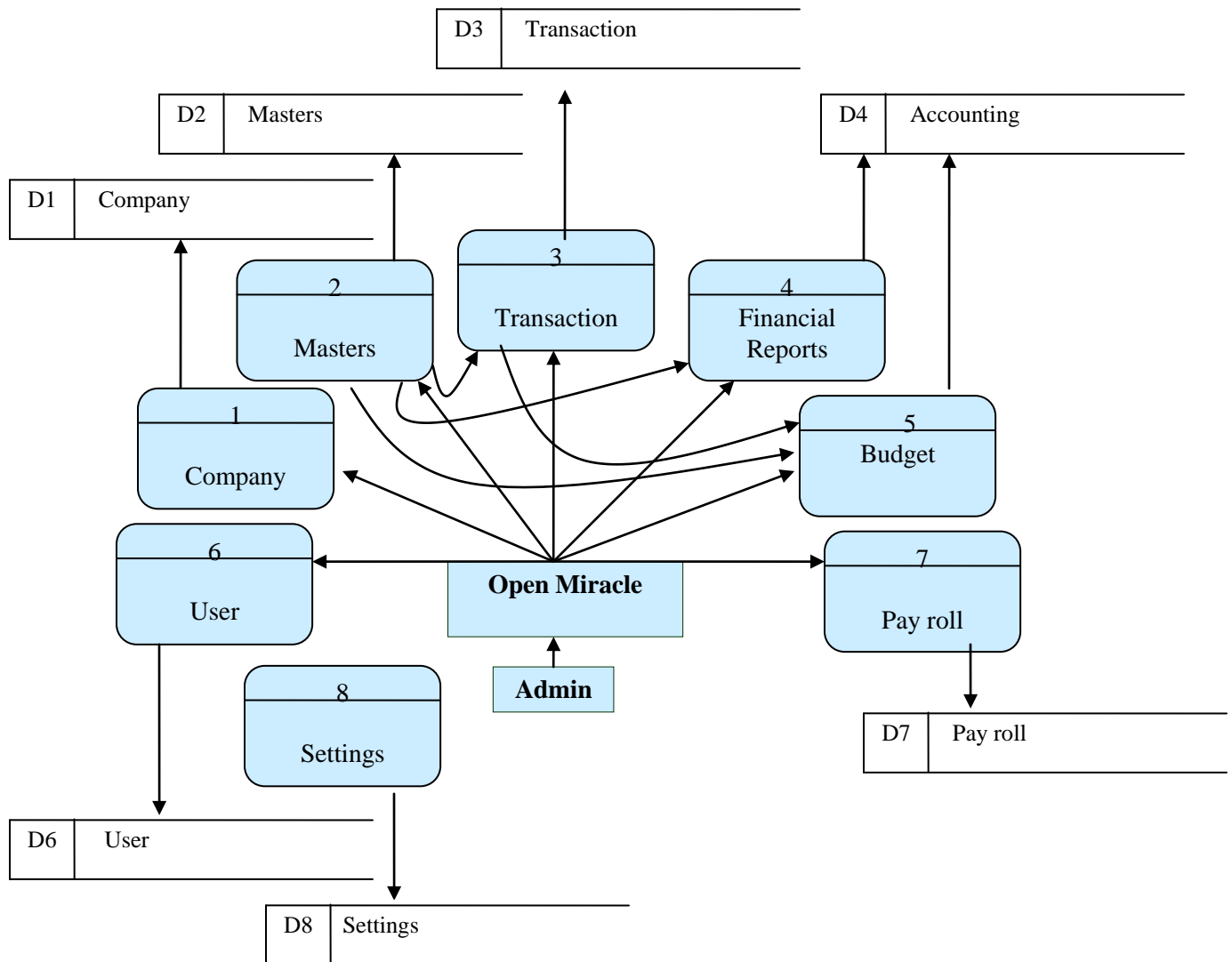


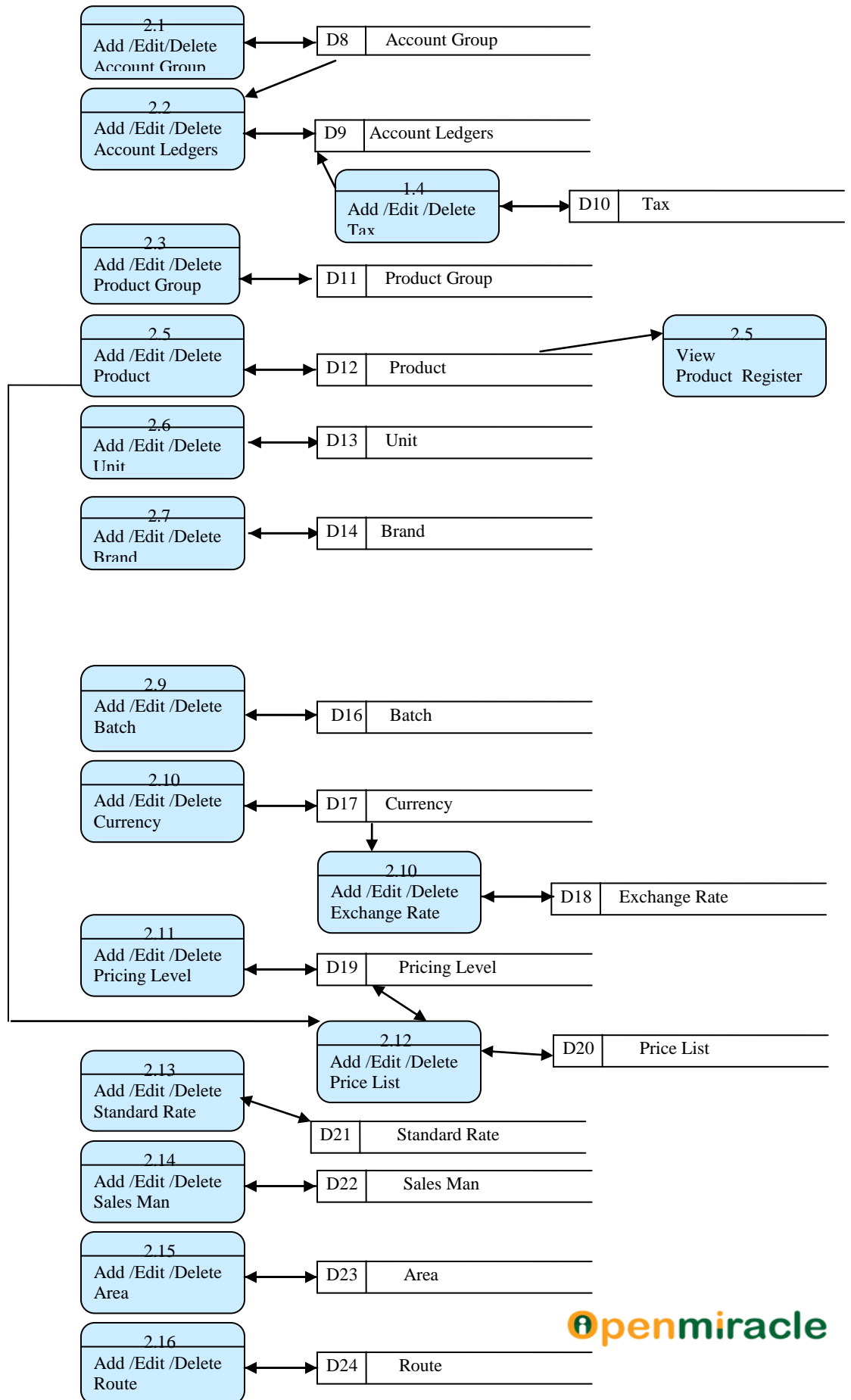
DATA FLOW DIAGRAM

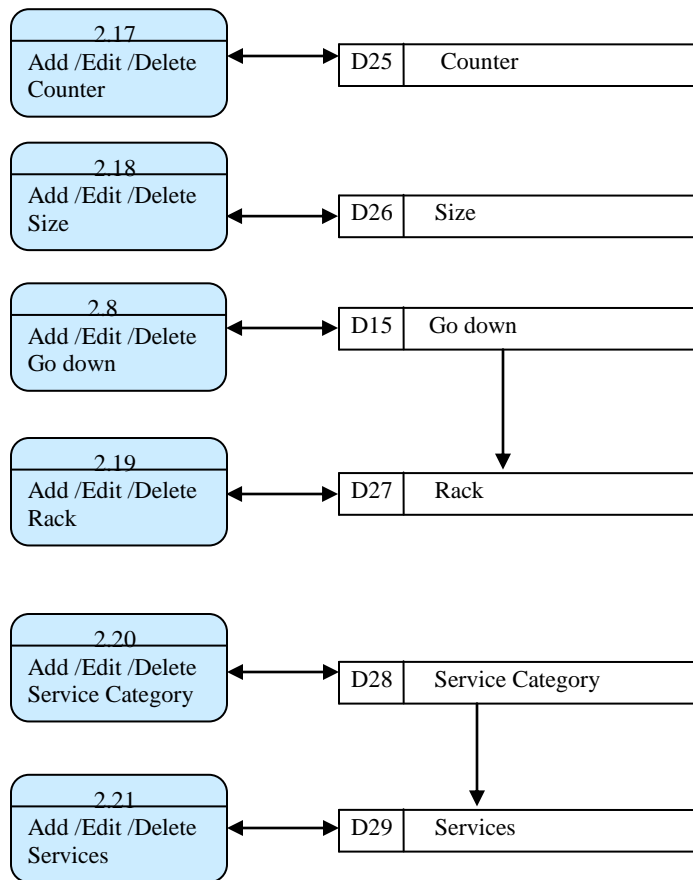


Main modules

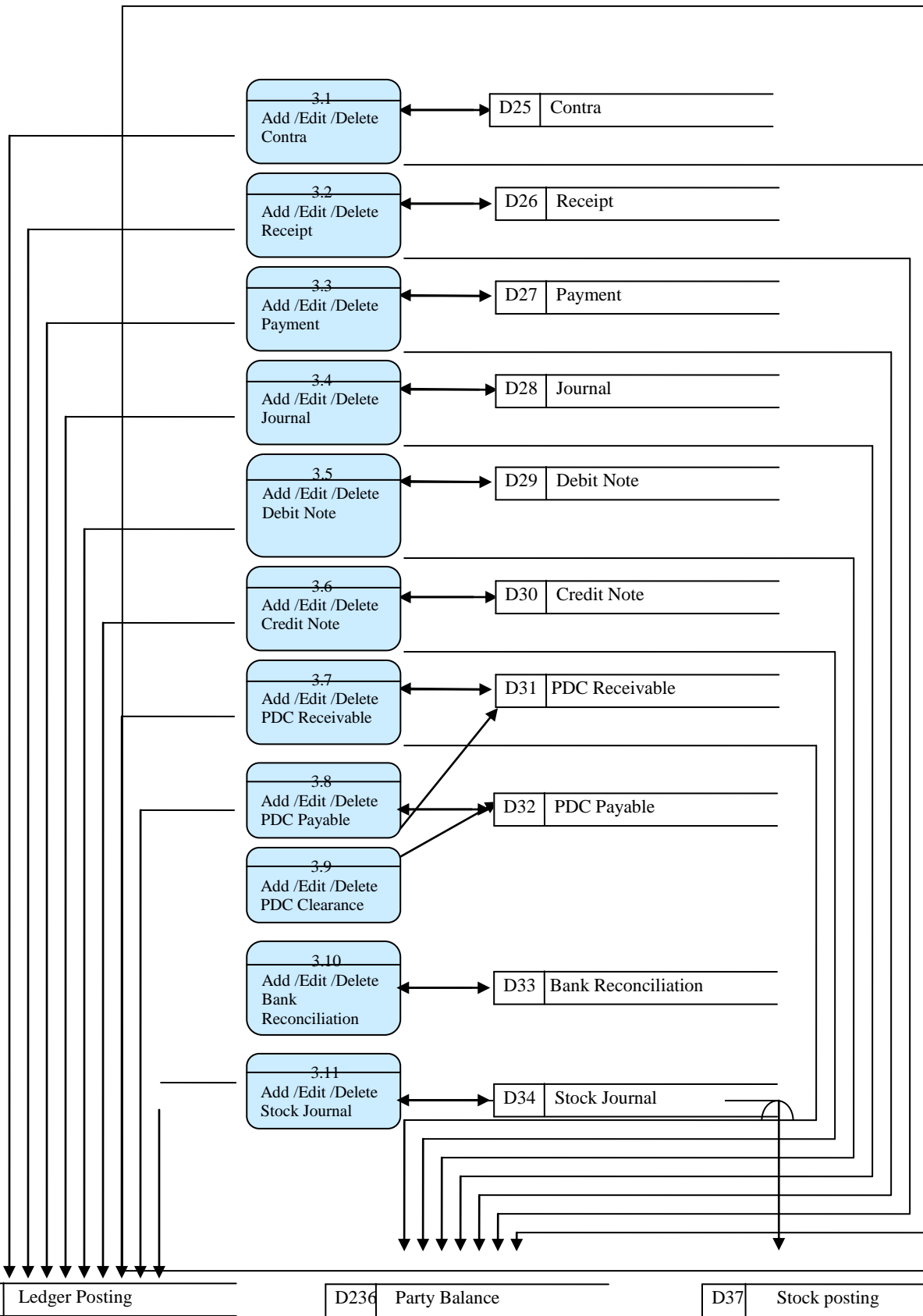


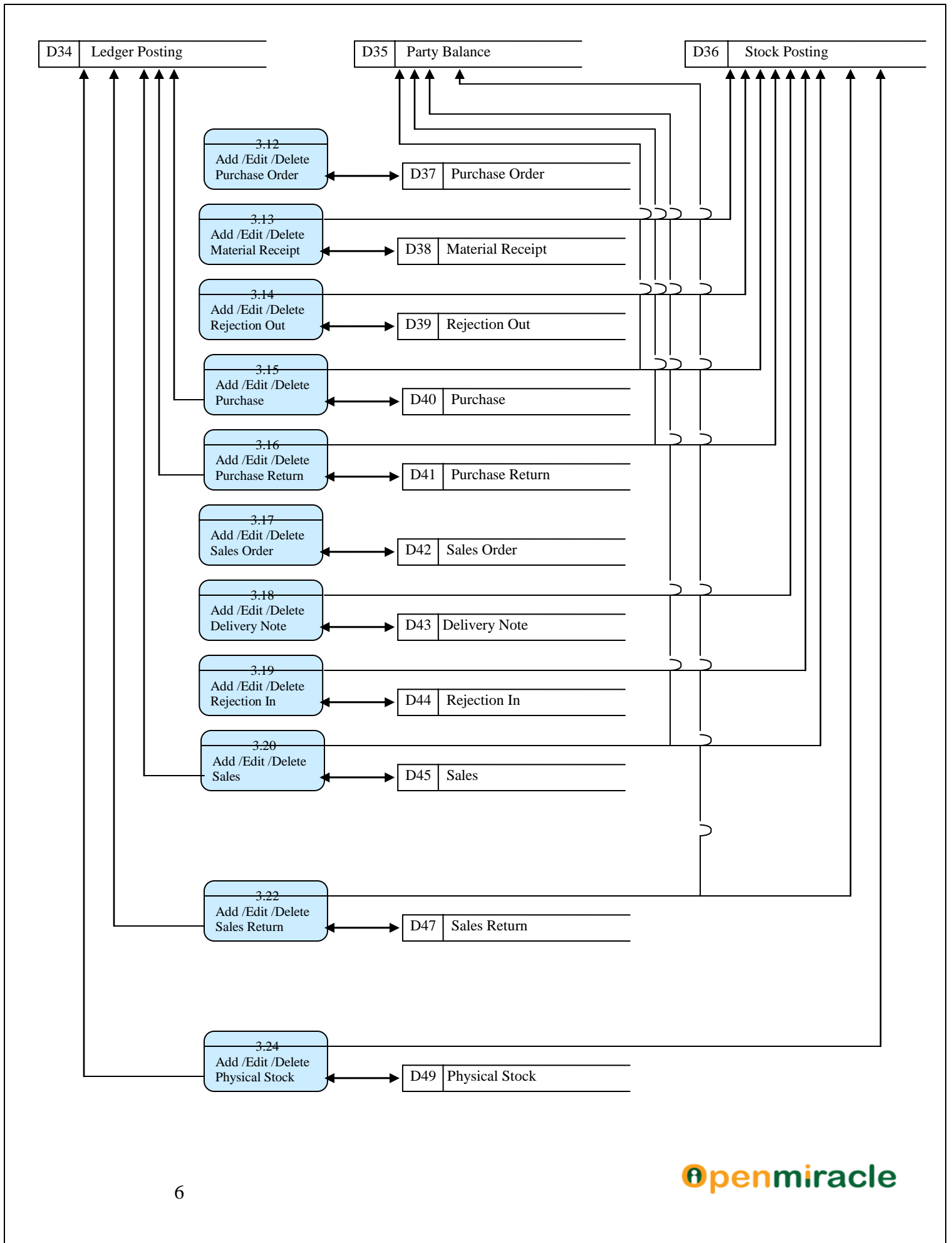
2. Masters



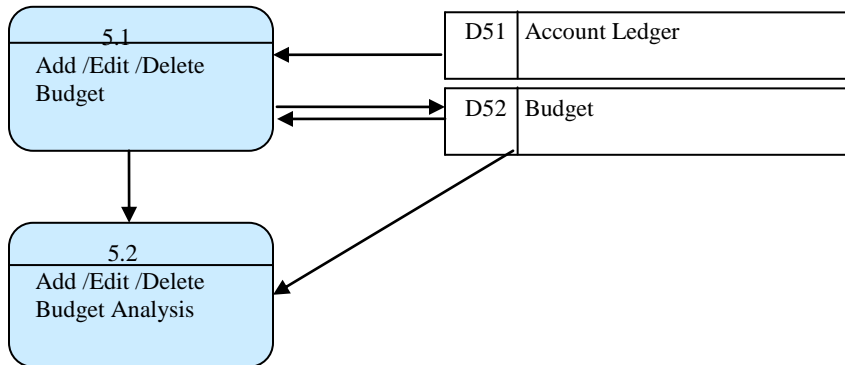


3. Transactions

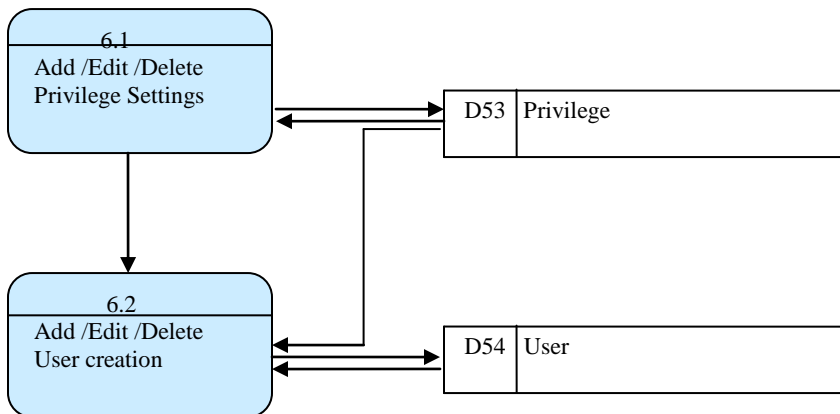




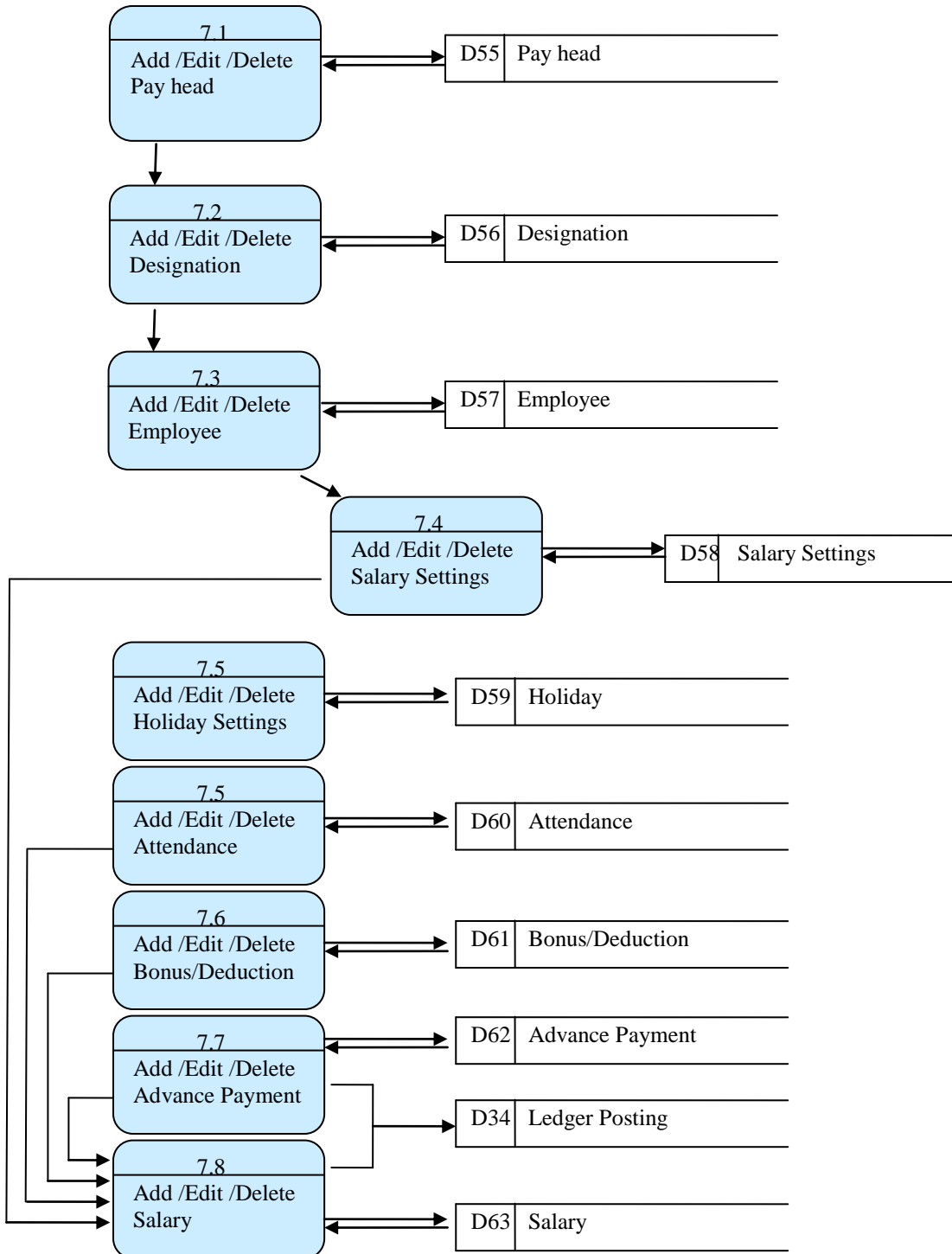
5. Budget



6. User



7. Pay roll



8. Settings

